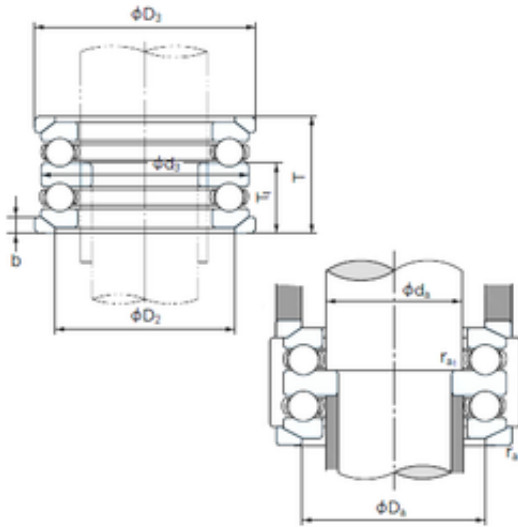




Shandong Chik Bearing Co., Ltd.



54211U Bearing 2D drawings and 3D CAD models

NACHI 54211U thrust ball bearings

Bearing No. 54211U

Size	55x90x55 mm
Bore Diameter	55 mm
Outer Diameter	90 mm
Width	55 mm
d	55 mm
d2	45 mm
D	90 mm
T	55 mm
ra1 max.	0.6 mm
T1	32.5 mm
a	10 mm
b	9 mm
d3	90 mm
r min.	1 mm
r1 min.	0.6 mm
D1	57 mm
D2	72 mm
D3	95 mm
da min.	55 mm
Da max.	72 mm
ra max.	1 mm
Weight	1.54 Kg
Basic dynamic load rating (C)	69,5 kN
Basic static load rating (C0)	159 kN
(Grease) Lubrication Speed	2100 r/min