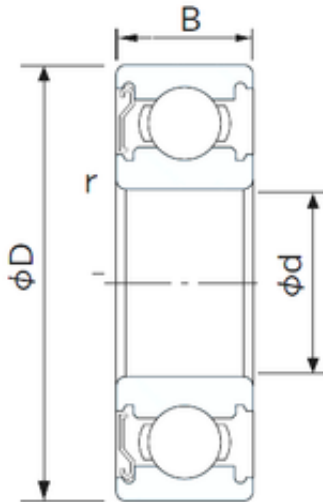




## Shandong Chik Bearing Co., Ltd.



85 mm x 130 mm x 22 mm NACHI 6017Z deep groove ball bearings

Bearing No. 6017Z

Size	85x130x22 mm
Bore Diameter	85 mm
Outer Diameter	130 mm
Width	22 mm
d	85 mm
D	130 mm
B	22 mm
C	22 mm
r min.	1.1 mm
da min.	91 mm
Da max.	124 mm
ra max.	1.1 mm
Weight	0.895 Kg
Basic dynamic load rating (C)	49,5 kN
Basic static load rating (C0)	43 kN
(Grease) Lubrication Speed	5000 r/min

6017Z Bearing 2D drawings and 3D CAD models