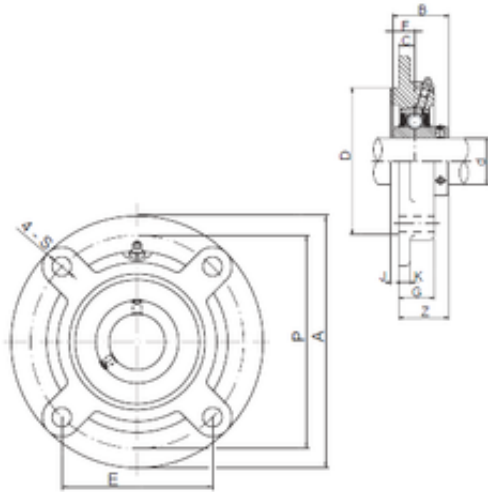




Shandong Chik Bearing Co., Ltd.

65 mm x 140 mm x 74,6 mm ISO UCFCX13 bearing units



Bearing No. UCFCX13

Bore Diameter	65 mm
d	65 mm
P	165 mm
Z	55,4 mm
A	194 mm
B	74,6 mm
C	11 mm
D	140 mm
E	116,7 mm
F	30,2 mm
G	33 mm
J	20 mm
K	14 mm
S	16 mm
Bolt (G)	M14

UCFCX13 Bearing 2D drawings and 3D CAD models