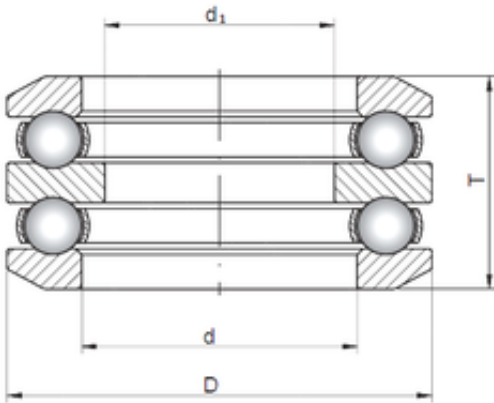




# Shandong Chik Bearing Co., Ltd.

## ISO 54215 thrust ball bearings



Bearing No. 54215

Size	77x110x49.6 mm
Bore Diameter	77 mm
Outer Diameter	110 mm
Width	49,6 mm
d	77 mm
d1	60 mm
D	110 mm
T	49,6 mm

54215 Bearing 2D drawings and 3D CAD models