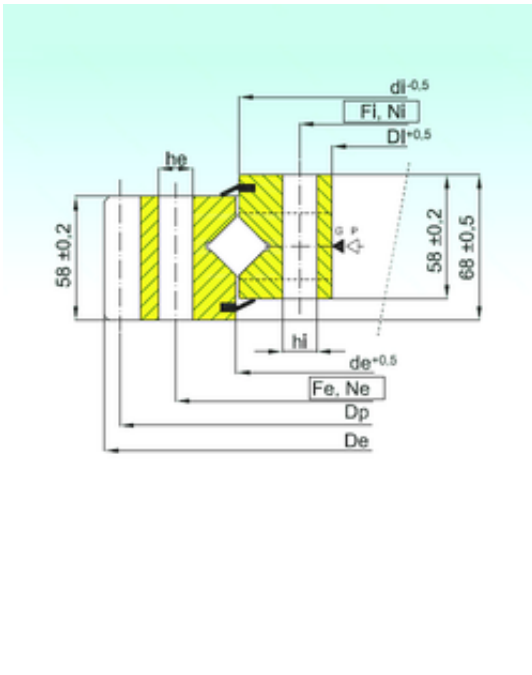




Shandong Chik Bearing Co., Ltd.

ISB ER1.20.1904.400-1SPPN thrust roller bearings

Bearing No. ER1.20.1904.400-1SPPN



ER1.20.1904.400-1SPPN Bearing 2D drawings and 3D CAD models

Size	1796x2073.4x68 mm
Bore Diameter	1796 mm
Outer Diameter	2073,4 mm
Width	68 mm
d	1796 mm
D	2073,4 mm
H	68 mm
Z	145 mm
m	14 mm
di	1902 mm
Di	1796 mm
Dp	2030 mm
De	2073,4 mm
Fe	1968 mm
Ne	64 mm
Fi	1840 mm
Ni	64 mm
dce	1906 mm
he	22 mm
hi	22 mm