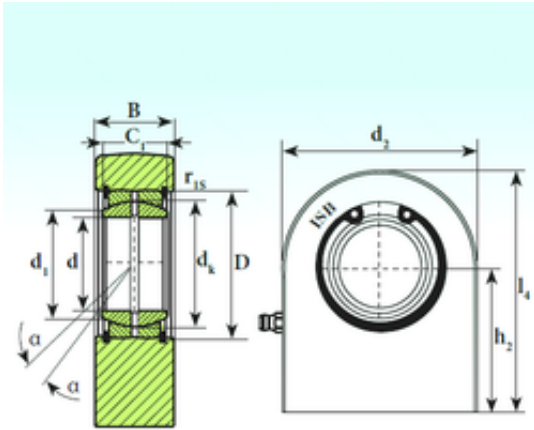




# Shandong Chik Bearing Co., Ltd.



T.P.N. 325 Bearing 2D drawings and 3D CAD models

## 25 mm x 42 mm x 23 mm ISB T.P.N. 325 plain bearings

Bearing No. T.P.N. 325

Bore Diameter	25 mm
Outer Diameter	42 mm
d	25 mm
D	42 mm
d1	29,3 mm
d2	55 mm
dk	35,5 mm
h2	45 mm
l4 max.	72,5 mm
r min.	0,6 mm
B	23 mm
C1	20 mm
Angle	7 °
Weight	0,53 Kg
Basic dynamic load rating (C)	48 kN