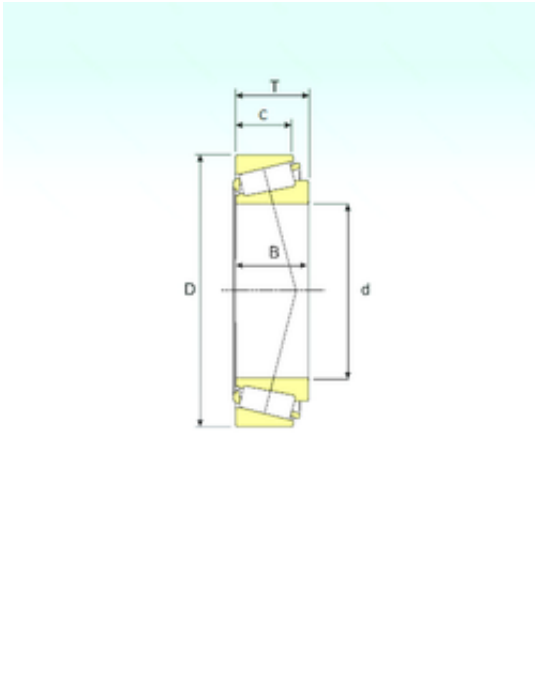




Shandong Chik Bearing Co., Ltd.



158,75 mm x 205,583 mm x 23,812 mm ISB
L432348/310 tapered roller bearings

Bearing No. L432348/310

Size	158.75x205.583x23.812 mm
Bore Diameter	158,75 mm
Outer Diameter	205,583 mm
Width	23,812 mm
d	158,75 mm
D	205,583 mm
T	23,812 mm
B	23,812 mm
C	18,258 mm
Weight	1,95 Kg
Basic dynamic load rating (C)	135 kN
Basic static load rating (C0)	274 kN
(Grease) Lubrication Speed	2160 r/min

L432348/310 Bearing 2D drawings and 3D CAD models