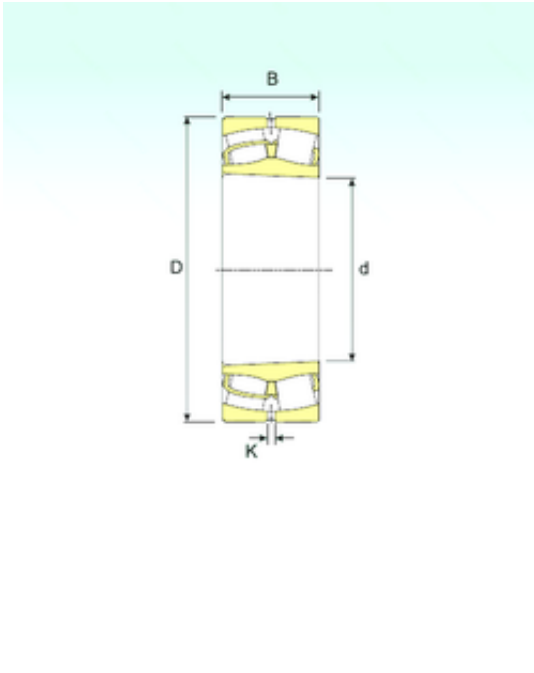




Shandong Chik Bearing Co., Ltd.



23956 K Bearing 2D drawings and 3D CAD models

280 mm x 380 mm x 75 mm ISB 23956 K
spherical roller bearings

Bearing No. 23956 K

Size	280x380x75 mm
Bore Diameter	280 mm
Outer Diameter	380 mm
Width	75 mm
d	280 mm
D	380 mm
B	75 mm
C	75 mm
K	6 mm
Weight	25 Kg
Basic dynamic load rating (C)	828 kN
Basic static load rating (C0)	1725 kN
(Grease) Lubrication Speed	1300,5 r/min