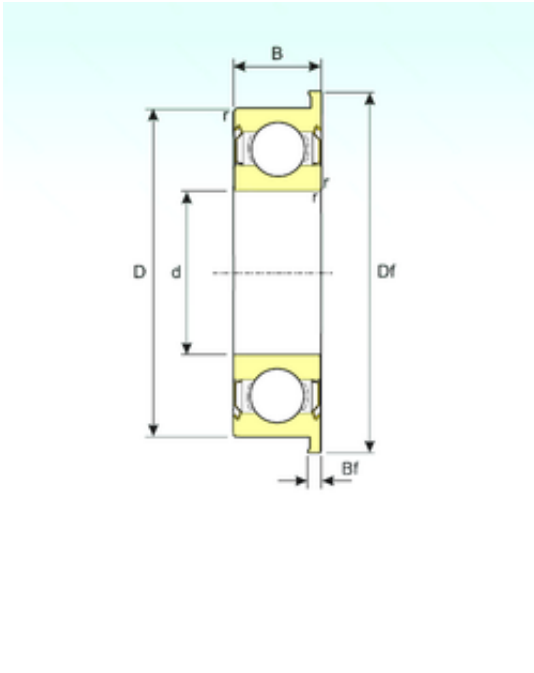




Shandong Chik Bearing Co., Ltd.



F634ZZ Bearing 2D drawings and 3D CAD models

4 mm x 16 mm x 5 mm ISB F634ZZ deep groove ball bearings

Bearing No. F634ZZ

Dimensione	4x16x5 mm
Marchio	ISB
Diametro del foro	4 mm
Diametro esterno	16 mm
Larghezza	5 mm
d	4 mm
D	16 mm
B	5 mm
C	5 mm
Bf	1 mm
Df	18 mm
r min.	0,3 mm
Carico dinamico di base (C)	1,03 kN