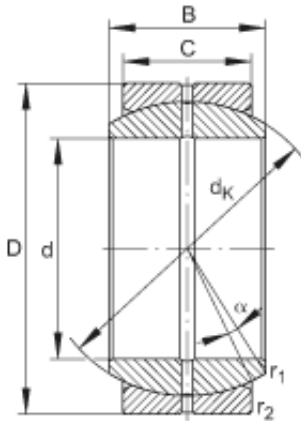




Shandong Chik Bearing Co., Ltd.



INA GE180-DO plain bearings

Bearing No. GE180-DO

Size	180x260x105 mm
Bore Diameter	180 mm
Outer Diameter	260 mm
Width	105 mm
C	80 mm
$D_{a \min}$	219 mm
$d_{a \max}$	198,9 mm
d_k	225 mm
$r_{1s \min}$	1,1 mm
$r_{2s \min}$	1,1 mm
alf (°)	6
Weight (kg)	18,2
C_r (N)	1530000
C_{Or} (N)	7650000
Category	Spherical Plain Bearings - Radial
Inventory	0.0
Manufacturer Name	SCHAEFFLER GROUP
Minimum Buy Quantity	N/A
Weight / Kilogram	22.07
Product Group	B04264
Self Aligning	Yes
Rolling Element	Spherical Plain
Material - Outer Member	Steel
Material - Ball	Steel
Material - Liner	Not Applicable

GE180-DO Bearing 2D drawings and 3D CAD models



Shandong Chik Bearing Co., Ltd.

Relubricatable	Yes
Enclosure	Open
Other Features	2 Piece Single Axial Split in Outer Ring
Long Description	180MM Bore; 80MM Housing Width; 260MM Outside Diameter; Spherical Plain; Steel Outer Member; Steel Ball; No Liner; 105MM Overall Width; Relubricatable
Inch - Metric	Metric
Category	Plain Bearings Spherical Radial
UNSPSC	31171515
Harmonized Tariff Code	8483.30.80.70
Noun	Bearing
Keyword 3	Spherical
Keyword String	Plain Spherical Radial
Manufacturer URL	http://www.ina.com
Manufacturer Item Number	GE180DO
Weight / LBS	40.79
Overall Width	4.134 Inch 105 Millimeter
Outside Diameter	10.236 Inch 260 Millimeter
Bore	7.087 Inch 180 Millimeter
Housing Width	3.15 Inch 80 Millimeter