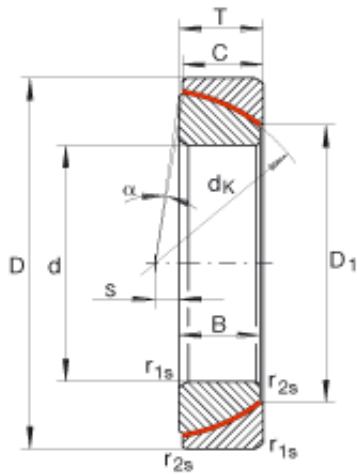




Shandong Chik Bearing Co., Ltd.



INA GE130-SW plain bearings

Bearing No. GE130-SW

Size	130x200x42 mm
Bore Diameter	130 mm
Outer Diameter	200 mm
Width	42 mm
T	45 mm
C	42 mm
D ₁	148 mm
D _{a min}	158 mm
d _{a max}	143,9 mm
d _{b max}	174 mm
d _K	190 mm
D _{b min}	192 mm
r _{1s min}	0,6 mm
s	20 mm
alf (°)	1,9
Weight (kg)	6,1
C _r (N)	1870000
C _{0r} (N)	3110000

GE130-SW Bearing 2D drawings and 3D CAD models