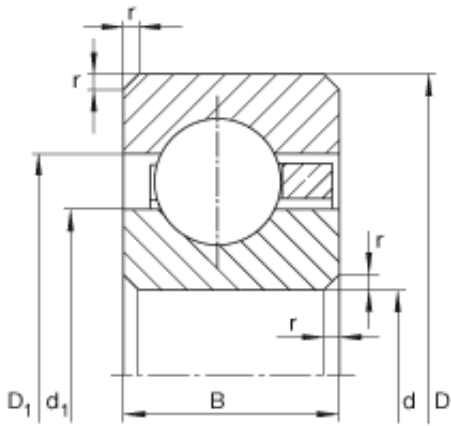




Shandong Chik Bearing Co., Ltd.

6 1/2 inch x 177,8 mm x 6,35 mm INA
CSCA065 deep groove ball bearings

Bearing No. CSCA065



CSCA065 Bearing 2D drawings and 3D CAD models

Size	165.1x177.8x6.35 mm
Bore Diameter	165,1 mm
Outer Diameter	177,8 mm
Width	6,35 mm
d	165,1 mm
d	6 1/2 inch
D	177,8 mm
B	6,35 mm
D_1	173,1 mm
d_1	169,8 mm
r_{min}	0,6 mm
m	0,14 kg / Weight
C_r	5000 N / Dynamic load rating (radial)
C_{0r}	8300 N / Static load rating (radial)