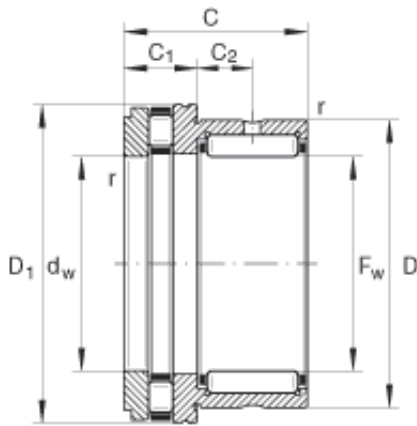




Shandong Chik Bearing Co., Ltd.



NKXR50 Bearing 2D drawings and 3D CAD models

INA NKXR50 complex bearings

Bearing No. NKXR50

Size	50x62x35 mm
Bore Diameter	50 mm
Outer Diameter	62 mm
Width	35 mm
F_w	50 mm
D	62 mm
C - 35 mm / Tolerance: -0,25	35 mm / Tolerance: 0,25
C_1 - 14 mm / Tolerance: -0,2	14 mm / Tolerance: 0,2
C_2	10 mm
$D_{1 \max}$	70,2 mm
d_a	65,5 mm
d_w	50 mm / Tolerance: E8
$r_{a \max}$	0,6 mm
r_{\min}	0,6 mm
	NAXR50 / Designation to DIN 5429
m	268 g / Weight
C_r	43000 N / Dynamic load rating (radial)
C_{0r}	74000 N / Static load rating (radial)
C_a	62000 N / Dynamic load rating (axial)
C_{0a}	177000 N / Static load rating (axial)



Shandong Chik Bearing Co., Ltd.

C_{ur}	12700 N / Fatigue limit load, radial
C_{ua}	17400 N / Fatigue limit load, axial
n_G	4800 1/min / Limiting speed
n_B	1700 1/min / Reference speed
	IR45X50X25 / Suitable inner ring
Category	Thrust Roller Bearing
Inventory	0.0
Manufacturer Name	SCHAEFFLER GROUP
Minimum Buy Quantity	N/A
Weight / Kilogram	0.27
Product Group	B00234
Rolling Element	Combination - Needle Roller and Thrust Roller Bearing
Self Aligning	No
Component Description	Roller Assembly plus Raceways
Thrust Bearing	Yes
Single or Double Direction	Single Direction
Banded	No
Cage Material	Steel
Precision Class	ABEC 1 ISO P0
Long Description	50MM Bore 1; 50MM Bore 2; 62MM Outside Diameter; 35MM Height; Combination - Needle Roller and Thrust Roller Bearing; Single Direction; Not Self Aligning; Not Banded; Steel Cage; ABEC 1 ISO P0; Rolle
Inch - Metric	Metric
Category	Thrust Roller Bearings



Shandong Chik Bearing Co., Ltd.

UNSPSC	31171537
Harmonized Tariff Code	8482.80.00.80
Noun	Bearing
Keyword String	Combination
Manufacturer URL	http://www.ina.com
Manufacturer Item Number	NKXR50
Weight / LBS	0.591
Height	1.378 Inch 35 Millimeter
Bore 1	1.969 Inch 50 Millimeter
Overall Height with Aligning Washer	0 Inch 0 Millimeter
Bore 2	1.969 Inch 50 Millimeter
Outside Diameter	2.441 Inch 62 Millimeter