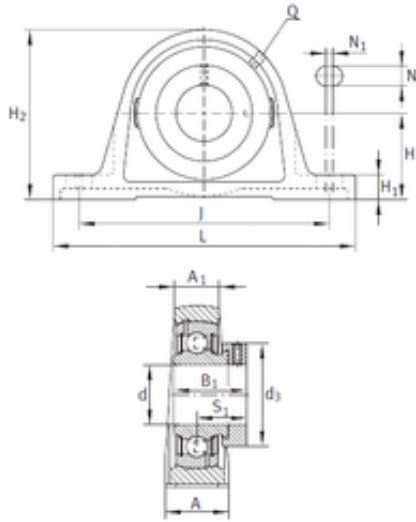




Shandong Chik Bearing Co., Ltd.



PASE1-1/4-206 Bearing 2D drawings and 3D CAD models

INA PASE1-1/4-206 bearing units

Bearing No. PASE1-1/4-206

Bore Diameter	31.75 mm
d	31.75 mm
S1	26,797 mm
Thread (Q)	1/8 NPT
d3	43,993 mm
A	42,495 mm
A1	27,001 mm
B	35,789 mm
H	42,901 mm
H1	18,009 mm
H2	83,389 mm
J	117,501 mm
L	157,2 mm
N	15,012 mm
N1	9,5 mm
Category	Pillow Block Bearings
Inventory	0.0
Manufacturer Name	SCHAEFFLER GROUP
Minimum Buy Quantity	N/A
Weight / Kilogram	1.3
Product Group	M06110
Number of Mounting Holes	2
Mounting Method	Eccentric Collar
Housing Style	2 Bolt Pillow Block
Rolling Element	Ball Bearing
Housing Material	Cast Iron



Shandong Chik Bearing Co., Ltd.

Expansion / Non-expansion	Non-expansion
Relubricatable	Yes
Insert Part Number	GRA104NPPB206
Seals	Double Lip Contact
Housing Configuration	1 Piece Solid
Inch - Metric	Inch
Other Features	Single Row Spherical Standard Shaft Height With Set Screw
Long Description	2 Bolt Pillow Block; 1-1/4" Bore; 1-11/16" Base to Center Height; Eccentric Collar Mount; Ball Bearing; 4.252" Minimum Bolt Spacing; 5" Bolt Spacing Maximum; Relubricatable; Cast I
Category	Pillow Block
UNSPSC	31171511
Harmonized Tariff Code	8483.20.40.40
Noun	Bearing
Keyword String	Pillow Block
Manufacturer URL	http://www.ina.com
Manufacturer Item Number	PASE1-1/4-206
Weight / LBS	2.867
Length Thru Bore	1.406 Inch 35.7 Millimeter
Bolt Spacing Maximum	5 Inch 127Millimeter
Nominal Bolt Center to Center	4.6 Inch 118 Millimeter
Bolt Spacing Minimum	4.252 Inch 108Millimeter
Base to Center Height	1.688 Inch 42.875 Millimeter
Bore	1.25 Inch 31.75 Millimeter
Actual Bolt Center to Center	0 Inch 0Millimeter