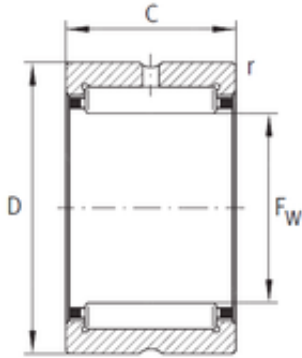




# Shandong Chik Bearing Co., Ltd.

## INA NK45/30-TN-XL needle roller bearings



Bearing No. NK45/30-TN-XL

Size	45x55x30 mm
Bore Diameter	45 mm
Outer Diameter	55 mm
Width	30 mm
F <sub>w</sub>	45 mm
D	55 mm
C	30 mm
r min.	0,3 mm
Weight	0,132 Kg
Basic dynamic load rating (C)	52 kN
Basic static load rating (C <sub>0</sub> )	103 kN
Fatigue load limit (P <sub>u</sub> )	19,1
Reference speed	6 500 r/min

NK45/30-TN-XL Bearing 2D drawings and 3D CAD models