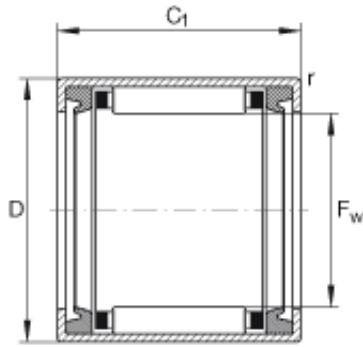




Shandong Chik Bearing Co., Ltd.



INA HK2524-2RS needle roller bearings

Bearing No. HK2524-2RS

Size	25x32x24 mm
Bore Diameter	25 mm
Outer Diameter	32 mm
Width	24 mm
F_w	25 mm
D	32 mm
C_1 - 24 mm / Tolerance: -0,3	24 mm / Tolerance: 0,3
r_{min}	0,8 mm
m	40 g / Weight
C_r	19900 N / Dynamic load rating (radial)
C_{0r}	33000 N / Static load rating (radial)
C_{ur}	4200 N / Fatigue limit load, radial
$n_{G\text{ Fett}}$	7000 1/min / Limiting speed for grease lubrication
Category	Needle Non Thrust Roller Bearings
Inventory	0.0
Manufacturer Name	SCHAEFFLER GROUP
Minimum Buy Quantity	N/A
Weight / Kilogram	0.04
Product Group	B04144
Rolling Element	Needle Roller Bearing
Component	Roller Assembly with Outer Ring - No Inner Ring

HK2524-2RS Bearing 2D drawings and 3D CAD models



Shandong Chik Bearing Co., Ltd.

Enclosure	2 Seals
Self Aligning	No
Retainer	Yes
Number of Rows of Rollers	Single Row
Separable	No
Closed End	No
Inch - Metric	Metric
Relubricatable	No
Thrust Bearing	No
Long Description	25MM Bore; 32MM Outside Diameter; 24MM Width; Needle Roller Bearing; Roller Assembly with Outer Ring - No Inner Ring; 2 Seals; Not Self Aligning; Retainer; Single Row of Rollers; Not Separable; Not CI
Other Features	2 Rib Outer Ring Drawn Cup Bearing Steel Cage
Category	Needle Non Thrust Roller Bearing
UNSPSC	31171512
Harmonized Tariff Code	8482.99.65.30
Noun	Roller Assembly with Outer Ring
Keyword String	Bearing Needle
Manufacturer URL	http://www.ina.com
Manufacturer Item Number	HK25242RS
Weight / LBS	0.088
Outside Diameter	1.26 Inch 32 Millimeter
Bore	0.984 Inch 25 Millimeter
Width	0.945 Inch 24 Millimeter