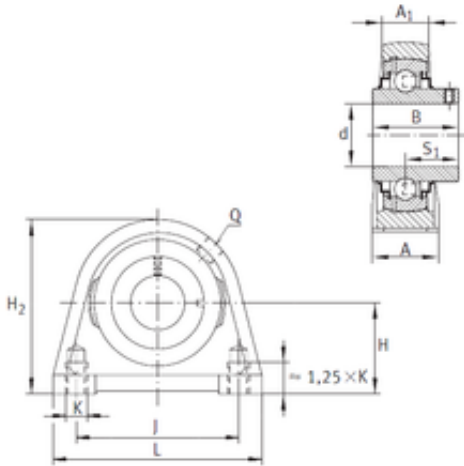




Shandong Chik Bearing Co., Ltd.

INA RSHEY40-N bearing units

Bearing No. RSHEY40-N



RSHEY40-N Bearing 2D drawings and 3D CAD models

Bore Diameter	40 mm
d	40 mm
Thread (Q)	Rp1/8
Thread (K)	M12
A	48 mm
A1	30 mm
B	49,2 mm
H	49,2 mm
H2	99 mm
J	88,9 mm
L	116 mm
S	30,2 mm
Weight	1,53 Kg
Basic dynamic load rating (C)	32,5 kN
Category	Pillow Block Bearings
Inventory	0.0
Manufacturer Name	SCHAEFFLER GROUP
Minimum Buy Quantity	N/A
Weight / Kilogram	2.12
Product Group	M06110
Number of Mounting Holes	2
Mounting Method	Set Screw
Housing Style	2 Bolt Tap Base Pillow Block
Rolling Element	Ball Bearing
Housing Material	Cast Iron
Expansion / Non-expansion	Non-expansion



Shandong Chik Bearing Co., Ltd.

Mounting Bolts	12 Millimeter
Relubricatable	Yes
Insert Part Number	GYE40KRRB
Seals	Double Land Riding Rubber Contact
Housing Configuration	1 Piece Solid
Inch - Metric	Metric
Other Features	Single Row Radial Metric With Grub Screw
Long Description	2 Bolt Tap Base Pillow Block; 40MM Bore; 49.2MM Base to Center Height; Set Screw Mount; Ball Bearing; Relubricatable; Cast Iron; Double Land Riding Rubber Contact; Non-expansion
Category	Pillow Block
UNSPSC	31171511
Harmonized Tariff Code	8483.20.40.40
Noun	Bearing
Keyword String	Pillow Block
Manufacturer URL	http://www.ina.com
Manufacturer Item Number	RSHEY40
Weight / LBS	4.123
Length Thru Bore	1.937 Inch 49.2 Millimeter
Bore	1.575 Inch 40 Millimeter
Base to Center Height	1.937 Inch 49.2 Millimeter
Actual Bolt Center to Center	3.5 Inch 90Millimeter
Nominal Bolt Center to Center	3.5 Inch 90 Millimeter