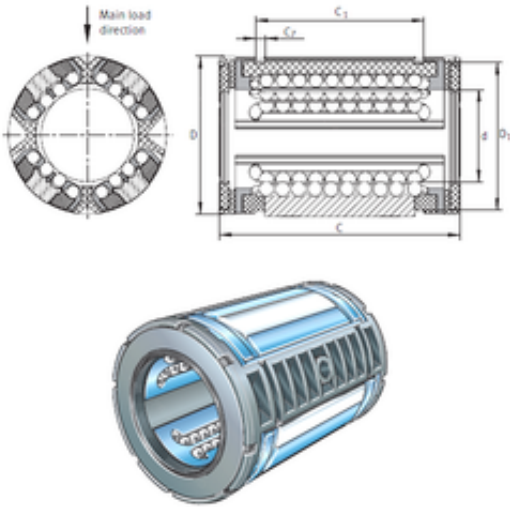




# Shandong Chik Bearing Co., Ltd.



KS50 Bearing 2D drawings and 3D CAD models

## INA KS50 linear bearings

Bearing No. KS50

Size	50x75x100 mm
Bore Diameter	50 mm
Outer Diameter	75 mm
Width	100 mm
d	50 mm
D	75 mm
C	100 mm
C7	2,65 mm
K1	4,5 mm
C1	77,3 mm
D1	71,4 mm
Weight	0,589 Kg
Basic dynamic load rating (C)	15,1 kN