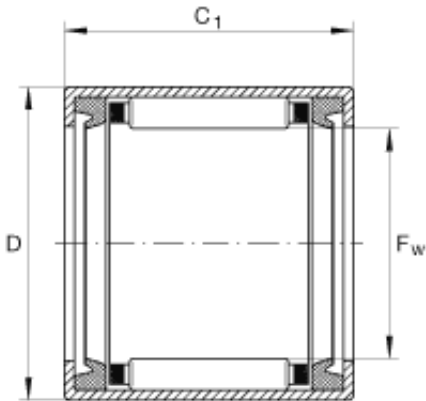




Shandong Chik Bearing Co., Ltd.



INA SCE47-PP needle roller bearings

Bearing No. SCE47-PP

Size	6.35x11.112x11.112 mm
Bore Diameter	6,35 mm
Outer Diameter	11,112 mm
Width	11,112 mm
F _w	1/4 inch
F _w	6,35 mm
D	0,438 inch
D	11,112 mm
C ₁	0,438 inch
C ₁	11,112 mm
m	0,009 lbs / Weight
m	4 g / Weight
C _r	560 lbf / Dynamic load rating (radial)
C _r	2500 N / Dynamic load rating (radial)
C _{0r}	470 lbf / Static load rating (radial)
C _{0r}	2090 N / Static load rating (radial)
n _G	35000 1/min / Limiting speed
n _B	26000 1/min / Reference speed
Category	Needle Non Thrust Roller Bearings
Inventory	44.0
Manufacturer Name	SCHAEFFLER GROUP

SCE47-PP Bearing 2D drawings and 3D CAD models



Shandong Chik Bearing Co., Ltd.

Minimum Buy Quantity	N/A
Weight / Kilogram	0.009
Product Group	B04144
Rolling Element	Needle Roller Bearing
Component	Roller Assembly with Outer Ring - No Inner Ring
Enclosure	2 Seals
Self Aligning	No
Retainer	Yes
Number of Rows of Rollers	Single Row
Separable	No
Closed End	No
Inch - Metric	Inch
Relubricatable	No
Thrust Bearing	No
Long Description	1/4" Bore; 7/16" Outside Diameter; 7/16" Width; Needle Roller Bearing; Roller Assembly with Outer Ring - No Inner Ring; 2 Seals Enclosure; No Self Aligning; Yes Retainer; Single Row of
Other Features	2 Rib Outer Ring Drawn Cup Bearing Steel Cage
Category	Needle Non Thrust Roller Bearing
UNSPSC	31171512
Harmonized Tariff Code	8482.40.00.00
Noun	Bearing
Keyword String	Needle
Manufacturer URL	http://www.ina.com
Manufacturer Item Number	SCE47PP
Weight / LBS	0.009
Outside Diameter	0.438 Inch 11.125 Millimeter



Shandong Chik Bearing Co., Ltd.

Bore	0.25 Inch 6.35 Millimeter
Width	0.438 Inch 11.125 Millimeter