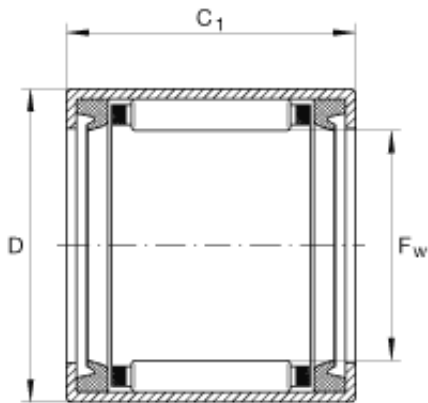




# Shandong Chik Bearing Co., Ltd.



## INA SCE67-PP needle roller bearings

Bearing No. SCE67-PP

Size	9.525x14.288x11.112 mm
Bore Diameter	9,525 mm
Outer Diameter	14,288 mm
Width	11,112 mm
F <sub>w</sub>	3/8 inch
F <sub>w</sub>	9,525 mm
D	0,563 inch
D	14,288 mm
C <sub>1</sub>	0,438 inch
C <sub>1</sub>	11,112 mm
m	0,026 lbs / Weight
m	12 g / Weight
C <sub>r</sub>	650 lbf / Dynamic load rating (radial)
C <sub>r</sub>	2900 N / Dynamic load rating (radial)
C <sub>0r</sub>	610 lbf / Static load rating (radial)
C <sub>0r</sub>	2700 N / Static load rating (radial)
n <sub>G</sub>	20000 1/min / Limiting speed
Category	Needle Non Thrust Roller Bearings
Inventory	0.0
Manufacturer Name	SCHAEFFLER GROUP
Minimum Buy Quantity	N/A

SCE67-PP Bearing 2D drawings and 3D CAD models



## Shandong Chik Bearing Co., Ltd.

Weight / Kilogram	0
Product Group	B04144
Rolling Element	Needle Roller Bearing
Component	Roller Assembly with Outer Ring - No Inner Ring
Enclosure	2 Seals
Self Aligning	No
Retainer	Yes
Number of Rows of Rollers	Single Row
Separable	No
Closed End	No
Inch - Metric	Inch
Relubricatable	No
Thrust Bearing	No
Long Description	3/8" Bore; 9/16" Outside Diameter; 7/16" Width; Needle Roller Bearing; Roller Assembly with Outer Ring - No Inner Ring; 2 Seals; Not Self Aligning; Retainer; Single Row of Rollers; Not
Other Features	2 Rib Outer Ring   Drawn Cup Bearing   Steel Cage
Category	Needle Non Thrust Roller Bearing
UNSPSC	31171512
Harmonized Tariff Code	8482.99.65.30
Noun	Roller Assembly with Outer Ring
Keyword String	Bearing Needle
Manufacturer URL	<a href="http://www.ina.com">http://www.ina.com</a>
Manufacturer Item Number	SCE67PP
Weight / LBS	0.026
Width	0.438 Inch   11.125 Millimeter



## Shandong Chik Bearing Co., Ltd.

Outside Diameter	0.563 Inch   14.3 Millimeter
Bore	0.375 Inch   9.525 Millimeter