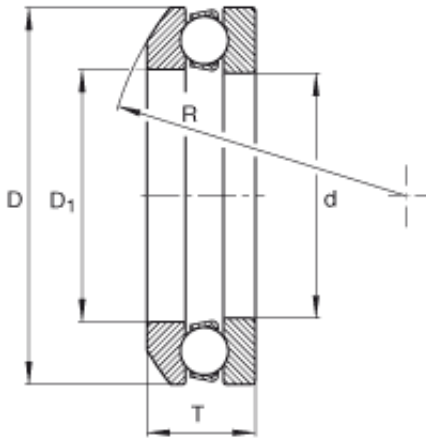




Shandong Chik Bearing Co., Ltd.

INA 502 thrust ball bearings

Bearing No. 502



502 Bearing 2D drawings and 3D CAD models

Size	15x35x20 mm
Bore Diameter	15 mm
Outer Diameter	35 mm
Width	20 mm
d	0,591 inch
d	15 mm
D	1,378 inch
D	35 mm
T	0,787 inch
T	20 mm
D ₁	0,669 inch
D ₁	17 mm
R	30 mm
m	0,271 lbs / Weight
m	0,123 kg / Weight
C _a	5060 lbf / Dynamic load rating (axial)
C _a	22500 N / Dynamic load rating (axial)
C _{0a}	6970 lbf / Static load rating (axial)
C _{0a}	31000 N / Static load rating (axial)