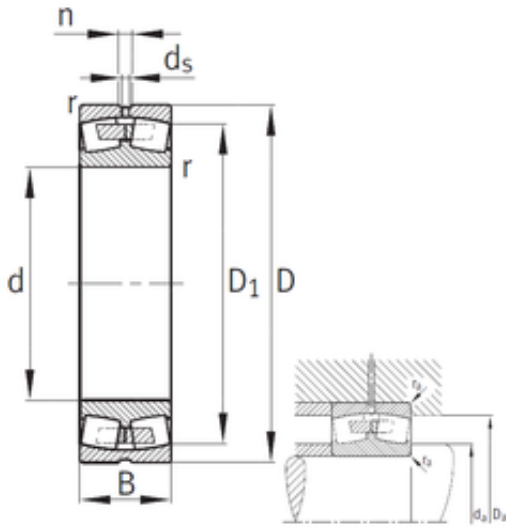




Shandong Chik Bearing Co., Ltd.



280 mm x 460 mm x 180 mm 280 mm x 460 mm
x 180 mm FAG 24156-B spherical roller bearings

Bearing No. 24156-B

Size	280x460x180 mm
Bore Diameter	280 mm
Outer Diameter	460 mm
Width	180 mm
d	280 mm
D	460 mm
B	180 mm
C	180 mm
n	15 mm
r min.	5 mm
D1	392,8 mm
da min.	300 mm
Da max.	440 mm
ra max.	4 mm
d5	8 r/min
Weight	119 Kg
Basic dynamic load rating (C)	2700 kN
Basic static load rating (C0)	5200 kN
Fatigue load limit (Pu)	365
Reference speed	520 r/min
Limiting speed	1 000 r/min
Calculation factor (e)	0,39
Calculation factor (Y0)	1,67
Calculation factor (Y1)	1,71

24156-B Bearing 2D drawings and 3D CAD models