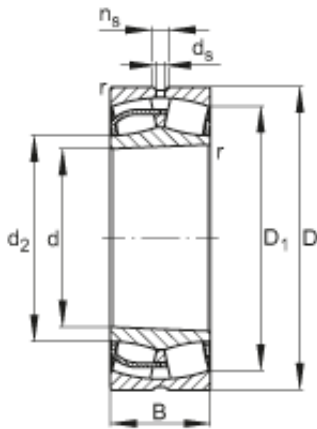




Shandong Chik Bearing Co., Ltd.



120 mm x 180 mm x 60 mm 120 mm x 180 mm
x 60 mm FAG 24024-E1-K30 spherical roller
bearings

Bearing No. 24024-E1-K30

24024-E1-K30 Bearing 2D drawings and 3D CAD
models

Size	120x180x60 mm
Bore Diameter	120 mm
Outer Diameter	180 mm
Width	60 mm
d	120 mm
D	180 mm
B	60 mm
D ₁	159,8 mm
D _{a max}	171,2 mm
d ₂	134,5 mm
d _{a min}	128,8 mm
d _s	3,2 mm
n _s	6,5 mm
r _{a max}	2 mm
r _{min}	2 mm
m	5,4 kg / Weight
C _r	450000 N / Dynamic load rating (radial)
e	0,29
Y ₁	2,33
Y ₂	3,47
C _{0r}	690000 N / Static load rating (radial)
Y ₀	2,28



Shandong Chik Bearing Co., Ltd.

n_G	3450 1/min / Limiting speed
n_B	2400 1/min
C_{ur}	84000 N / Fatigue limit load, radial