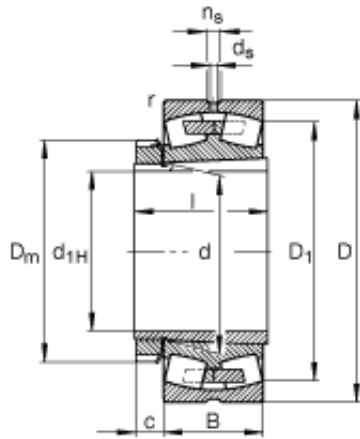




Shandong Chik Bearing Co., Ltd.



160 mm x 240 mm x 60 mm 160 mm x 240 mm
x 60 mm FAG 23032-E1A-K-M + H3032 spherical
roller bearings

Bearing No. 23032-E1A-K-M + H3032

23032-E1A-K-M + H3032 Bearing 2D drawings and 3D
CAD models

Size	140x240x60 mm
Bore Diameter	140 mm
Outer Diameter	240 mm
Width	60 mm
d_{1H}	140 mm
D	240 mm
B	60 mm
B_{amin}	8 mm
c	28 mm
D_1	219,9 mm
D_{amax}	229,8 mm
D_m	190 mm
d	160 mm
d_{amax}	177 mm
d_{bmin}	168 mm
d_s	6,3 mm
l	93 mm
n_s	12,2 mm
r_{amax}	2,1 mm
r_{min}	2,1 mm
	H3032 / Adapter sleeve
m	9,4 kg / Weight
m_1	5,44 kg / Weight, adapter



Shandong Chik Bearing Co., Ltd.

	sleeve
C_r	720000 N
e	0,22
Y_1	3,1
Y_2	4,62
C_{0r}	1010000 N / Static load rating (radial)
Y_0	3,03
n_G	3050 1/min / Limiting speed
n_B	2090 1/min / Reference speed