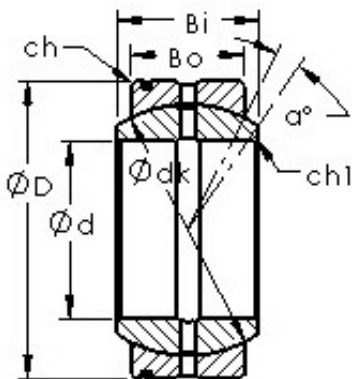




Shandong Chik Bearing Co., Ltd.



AST GE120XS/K plain bearings

Bearing No. GE120XS/K

Bore Diameter	120 mm
Outer Diameter	190 mm
Bearing Type	plain
Bore Dia (d)	120.0000
Outer Dia (D)	190.0000
Outer Width (Bo)	90.0000
Inner Width (Bi)	105.0000
Dynamic Load Rating (Cr)	1,330,000
Static Load Rating (Cor)	6,690,000
Max. shaft corner radius, or 45 deg. chamfer (ch1)	1.500
Max. housing corner radius, or 45 deg. chamfer (ch)	1.500
Spherical Diameter (dk or Dk)	175.000
Mis-alignment Angle (a deg.)	6
Weight (g)	12,500.00
Material	Inner and Outer ring made from 52100 Chrome steel, or equivalent

GE120XS/K Bearing 2D drawings and 3D CAD models