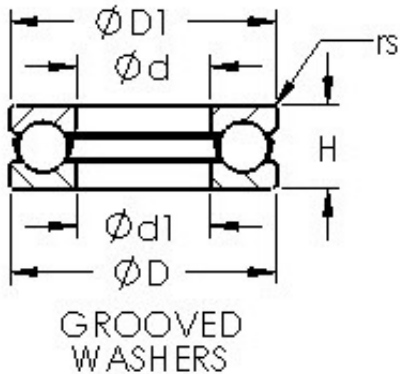




# Shandong Chik Bearing Co., Ltd.



## AST F10-18M thrust ball bearings

Bearing No. F10-18M

Bore Diameter	10 mm
Outer Diameter	18 mm
Bearing Type	with grooved raceway(s)
Bore Dia (d)	10.0000
Outer Dia (D)	18.0000
Radius (min) (rs)	0.300
Dynamic Load Rating (Cr)	2,470
Static Load Rating (Cor)	2,721
Max Speed (Grease) (X00 RPM)	10
Max Speed (Oil) (X1000 RPM)	15
Ball Qty	10
Ball Dia (Dw)	2.3810
Height (H)	5.5000
Outer Dia. Pilot (D1)	17.8000
Bore Dia. Clearance (d1)	10.2000
Weight (g)	5.40
Material	52100 chrome steel, or equivalent.

F10-18M Bearing 2D drawings and 3D CAD models